

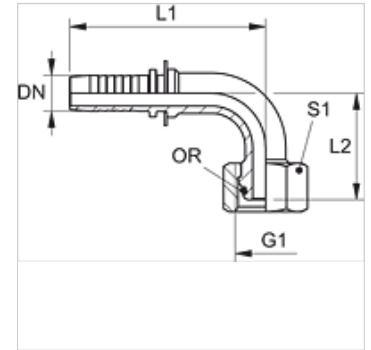
# PN AOL 90 VA

Swage nipple, DKOL angle 90°

**HANSA FLEX**

## Properties

<b>Application</b>	Swage nipple for HD 100 to HD 400, KP and TE hoses
<b>Connection 1</b>	metric nut thread
<b>Sealing form 1</b>	24° outer cone with O-ring
<b>Short code</b>	DKOL
<b>Standard</b>	ISO 8434-1
<b>Series</b>	light
<b>Material</b>	Stainless steel



## Note

Choose the appropriate ferrule based on the hose type.

## Ordering information

Seals of NBR

FPM (Viton) on request

## Item

Identification	DN	Size	Inches	G1	for external pipe Ø (mm)	L1 (mm)	L2 (mm)	S1	OR
PN 06 AOL 04 90 VA	6	4	1/4"	M 12 x 1.5	6	57,8	30,5	14	4.0 x 1.5
PN 06 AOL 90 VA	6	4	1/4"	M 14 x 1.5	8	57,8	29,5	17	6.0 x 1.5
PN 06 AOL 08 90 VA	6	4	1/4"	M 16 x 1.5	10	58,3	29,5	19	7.5 x 1.5
PN 06 AOL 10 90 VA	6	4	1/4"	M 18 x 1.5	12	58,8	33,5	22	9.0 x 1.5
PN 08 AOL 06 90 VA	8	5	5/16"	M 14 x 1.5	8	64,8	47,0	17	6.0 x 1.5
PN 08 AOL 90 VA	8	5	5/16"	M 16 x 1.5	10	61,3	39,0	19	7.5 x 1.5
PN 08 AOL 10 90 VA	8	5	5/16"	M 18 x 1.5	12	64,3	37,0	22	9.0 x 1.5
PN 10 AOL 08 90 VA	10	6	3/8"	M 16 x 1.5	10	64,8	40,5	19	7.5 x 1.5
PN 10 AOL 90 VA	10	6	3/8"	M 18 x 1.5	12	63,8	38,0	22	9.0 x 1.5
PN 10 AOL 13 90 VA	10	6	3/8"	M 22 x 1.5	15	72,3	41,5	27	12.0 x 2.0
PN 13 AOL 10 90 VA	12	8	1/2"	M 18 x 1.5	12	76,8	53,0	22	9.0 x 1.5
PN 13 AOL 90 VA	12	8	1/2"	M 22 x 1.5	15	75,8	43,0	27	12.0 x 2.0
PN 13 AOL 16 90 VA	12	8	1/2"	M 26 x 1.5	18	78,3	51,0	32	15.0 x 2.0
PN 16 AOL 90 VA	16	10	5/8"	M 26 x 1.5	18	90,0	52,0	32	15.0 x 2.0
PN 16 AOL 20 90 VA	16	10	5/8"	M 30 x 2	22	111,0	63,5	36	20.0 x 2.0
PN 20 AOL 90 VA	19	12	3/4"	M 30 x 2	22	98,0	58,0	36	20.0 x 2.0
PN 20 AOL 25 90 VA	19	12	3/4"	M 36 x 2	28	107,0	62,5	41	26.0 x 2.0
PN 25 AOL 90 VA	25	16	1"	M 36 x 2	28	124,5	70,0	41	26.0 x 2.0
PN 32 AOL 90 VA	31	20	1.1/4"	M 45 x 2	35	149,0	85,0	50	32.0 x 2.5
PN 40 AOL 90 VA	38	24	1.1/2"	M 52 x 2	42	166,0	103,0	60	38.0 x 2.5

## Product versions

PN AOL 90 Swage nipple, DKOL angle 90°, Steel