

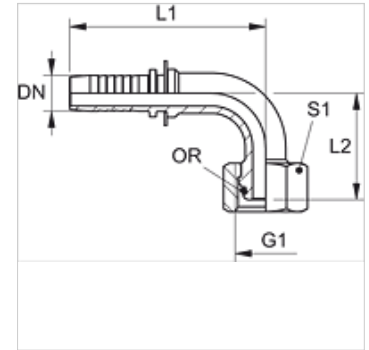
PN AOS 90 VA

Swage nipple, DKOS angle 90°

HANSA FLEX

Properties

Application	Swage nipple for HD 100 to HD 400, KP and TE hoses
Connection 1	metric nut thread
Sealing form 1	24° outer cone with O-ring
Short code	DKOS
Standard	ISO 8434-1
Series	heavy
Material	Stainless steel



Note

Choose the appropriate ferrule based on the hose type.

Ordering information

Seals of NBR

FPM (Viton) on request

Item

Identification	DN	Size	Inches	G1	for external pipe Ø (mm)	L1 (mm)	L2 (mm)	S1	OR
PN 06 AOS 03 90 VA	6	4	1/4"	M 14 x 1.5	6	57,8	34,0	17	4.0 x 1.5
PN 06 AOS 04 90 VA	6	4	1/4"	M 16 x 1.5	8	57,8	32,5	19	6.0 x 1.5
PN 06 AOS 90 VA	6	4	1/4"	M 18 x 1.5	10	58,3	33,5	22	7.5 x 1.5
PN 06 AOS 08 90 VA	6	4	1/4"	M 20 x 1.5	12	58,5	33,5	24	9.0 x 1.5
PN 08 AOS 04 90 VA	8	5	5/16"	M 16 x 1.5	8	65,8	40,5	19	6.0 x 1.5
PN 08 AOS 06 90 VA	8	5	5/16"	M 18 x 1.5	10	61,3	39,0	22	7.5 x 1.5
PN 08 AOS 90 VA	8	5	5/16"	M 20 x 1.5	12	64,3	37,0	24	9.0 x 1.5
PN 10 AOS 06 90 VA	10	6	3/8"	M 18 x 1.5	10	64,8	38,5	22	7.5 x 1.5
PN 10 AOS 08 90 VA	10	6	3/8"	M 20 x 1.5	12	63,8	38,0	24	9.0 x 1.5
PN 10 AOS 90 VA	10	6	3/8"	M 22 x 1.5	14	71,8	42,0	27	10.0 x 2.0
PN 10 AOS 13 90 VA	10	6	3/8"	M 24 x 1.5	16	72,8	42,5	30	12.0 x 2.0
PN 13 AOS 08 90 VA	12	8	1/2"	M 20 x 1.5	12	76,8	53,0	24	9.0 x 1.5
PN 13 AOS 90 VA	12	8	1/2"	M 24 x 1.5	16	75,8	45,5	30	12.0 x 2.0
PN 13 AOS 16 90 VA	12	8	1/2"	M 30 x 2	20	77,8	59,0	36	16.3 x 2.4
PN 16 AOS 90 VA	16	10	5/8"	M 30 x 2	20	93,0	51,0	36	16.3 x 2.4
PN 20 AOS 16 90 VA	19	12	3/4"	M 30 x 2	20	98,5	58,5	36	16.3 x 2.4
PN 20 AOS 90 VA	19	12	3/4"	M 36 x 2	25	109,0	64,0	46	20.3 x 2.4
PN 20 AOS 25 90 VA	19	12	3/4"	M 42 x 2	30	109,0	64,0	50	25.3 x 2.4
PN 25 AOS 20 90 VA	25	16	1"	M 36 x 2	25	121,5	79,0	46	20.3 x 2.4
PN 25 AOS 90 VA	25	16	1"	M 42 x 2	30	127,5	84,0	50	25.3 x 2.4
PN 25 AOS 32 90 VA	25	16	1"	M 52 x 2	38	127,5	84,0	60	33.3 x 2.4
PN 32 AOS 90 VA	31	20	1.1/4"	M 52 x 2	38	163,0	100,0	60	33.3 x 2.4

Product versions

PN AOS 90 Swage nipple, DKOS angle 90°, Steel