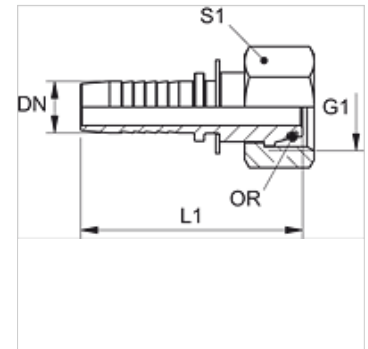


PN AOS VA

Swage nipple, DKOS

Properties

Application	Swage nipple for HD 100 to HD 400, KP and TE hoses
Connection 1	metric nut thread
Sealing form 1	24° outer cone with O-ring
Short code	DKOS
Standard	ISO 8434-1
Series	heavy
Material	Stainless steel



Note

Choose the appropriate ferrule based on the hose type.

Ordering information

Seals of NBR

FPM (Viton) on request

Item

Identification	DN	Size	Inches	G1	for external pipe Ø (mm)	L1 (mm)	S1	OR
PN 06 AOS 03 VA	6	4	1/4"	M 14 x 1.5	6	50,8	17	4.0 x 1.5
PN 06 AOS 04 VA	6	4	1/4"	M 16 x 1.5	8	54,8	19	6.0 x 1.5
PN 06 AOS VA	6	4	1/4"	M 18 x 1.5	10	56,8	22	7.5 x 1.5
PN 06 AOS 08 VA	6	4	1/4"	M 20 x 1.5	12	57,8	24	9.0 x 1.5
PN 06 AOS 13 VA	6	4	1/4"	M 24 x 1.5	16	61,3	30	12.0 x 2.0
PN 08 AOS 04 VA	8	5	5/16"	M 16 x 1.5	8	51,8	19	6.0 x 1.5
PN 08 AOS 06 VA	8	5	5/16"	M 18 x 1.5	10	55,8	22	7.5 x 1.5
PN 08 AOS VA	8	5	5/16"	M 20 x 1.5	12	57,8	24	9.0 x 1.5
PN 08 AOS 10 VA	8	5	5/16"	M 22 x 1.5	14	56,8	27	10.0 x 2.0
PN 08 AOS 13 VA	8	5	5/16"	M 24 x 1.5	16	61,3	30	12.0 x 2.0
PN 10 AOS 04 VA	10	6	3/8"	M 16 x 1.5	8	59,8	19	6.0 x 1.5
PN 10 AOS 06 VA	10	6	3/8"	M 18 x 1.5	10	-	22	7.5 x 1.5
PN 10 AOS 08 VA	10	6	3/8"	M 20 x 1.5	12	55,8	24	9.0 x 1.5
PN 10 AOS VA	10	6	3/8"	M 22 x 1.5	14	56,8	27	10.0 x 2.0
PN 10 AOS 13 VA	10	6	3/8"	M 24 x 1.5	16	61,3	30	12.0 x 2.0
PN 10 AOS 16 VA	10	6	3/8"	M 30 x 2	20	66,8	36	16.3 x 2.4
PN 13 AOS 08 VA	12	8	1/2"	M 20 x 1.5	12	57,8	24	9.0 x 1.5
PN 13 AOS VA	12	8	1/2"	M 24 x 1.5	16	63,3	30	12.0 x 2.0
PN 13 AOS 16 VA	12	8	1/2"	M 30 x 2	20	68,3	36	16.3 x 2.4
PN 13 AOS 20 VA	12	8	1/2"	M 36 x 2	25	72,3	46	20.3 x 2.4
PN 16 AOS 13 VA	16	10	5/8"	M 24 x 1.5	16	65,5	30	12.0 x 2.0
PN 16 AOS VA	16	10	5/8"	M 30 x 2	20	71,5	36	16.3 x 2.4
PN 16 AOS 20 VA	16	10	5/8"	M 36 x 2	25	74,5	46	20.3 x 2.4
PN 20 AOS 16 VA	19	12	3/4"	M 30 x 2	20	70,5	36	16.3 x 2.4
PN 20 AOS VA	19	12	3/4"	M 36 x 2	25	78,0	46	20.3 x 2.4
PN 20 AOS 25 VA	19	12	3/4"	M 42 x 2	30	81,0	50	25.3 x 2.4
PN 25 AOS 20 VA	25	16	1"	M 36 x 2	25	82,0	46	20.3 x 2.4
PN 25 AOS VA	25	16	1"	M 42 x 2	30	87,0	50	25.3 x 2.4
PN 25 AOS 32 VA	25	16	1"	M 52 x 2	38	93,0	60	33.3 x 2.4
PN 32 AOS VA	31	20	1.1/4"	M 52 x 2	38	111,0	60	33.3 x 2.4
PN 40 AOS VA	38	24	1.1/2"	M 68 x 2	50	111,0	80	-

Product versions

PN AOS Swage nipple, DKOS, Steel