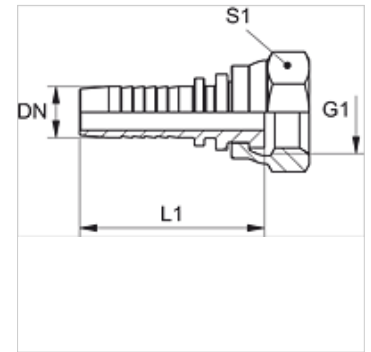


# PN AR VA

## Swage nipple, DKR-Flat

### Properties

<b>Application</b>	Swage nipple for HD 100 to HD 400, KP and TE hoses
<b>Connection 1</b>	BSP nut thread
<b>Sealing form 1</b>	flat sealing
<b>Short code</b>	DKR flat
<b>Material</b>	Stainless steel



### Note

Choose the appropriate ferrule based on the hose type.

Item	DN	Size	Inches	Operating pressure (bar)	G1	S1
PN 06 AR 02 VA	6	4	1/4"	350,0	G 1/8" -28	14
PN 06 AR 10 VA	6	4	1/4"	-	G 3/8" -19	19
PN 06 AR 13 VA	6	4	1/4"	315,0	G 1/2" -14	27
PN 06 AR VA	6	4	1/4"	350,0	G 1/4" -19	17
PN 08 AR 10 VA	8	5	5/16"	350,0	G 3/8" -19	19
PN 08 AR 13 VA	8	5	5/16"	315,0	G 1/2" -14	27
PN 10 AR 06 VA	10	6	3/8"	350,0	G 1/4" -19	19
PN 10 AR 13 VA	10	6	3/8"	315,0	G 1/2" -14	27
PN 10 AR VA	10	6	3/8"	350,0	G 3/8" -19	19
PN 13 AR 10 VA	12	8	1/2"	315,0	G 3/8" -19	19
PN 13 AR 16 VA	12	8	1/2"	315,0	G 5/8" -14	27
PN 13 AR 20 VA	12	8	1/2"	250,0	G 3/4" -14	32
PN 13 AR VA	12	8	1/2"	315,0	G 1/2" -14	27
PN 16 AR 20 VA	16	10	5/8"	250,0	G 3/4" -14	32
PN 16 AR VA	16	10	5/8"	315,0	G 5/8" -14	27
PN 20 AR 25 VA	19	12	3/4"	200,0	G 1" -11	41
PN 20 AR 32 VA	19	12	3/4"	160,0	G 1.1/4" -11	50
PN 20 AR VA	19	12	3/4"	250,0	G 3/4" -14	32
PN 25 AR 32 VA	25	16	1"	60,0	G 1.1/4" -11	50
PN 25 AR VA	25	16	1"	200,0	G 1" -11	41
PN 32 AR 40 VA	31	20	1.1/4"	125,0	G 1.1/2" -11	55
PN 32 AR VA	31	20	1.1/4"	160,0	G 1.1/4" -11	50
PN 40 AR VA	38	24	1.1/2"	125,0	G 1.1/2" -11	55
PN 50 AR VA	51	32	2"	80,0	G 2" -11	70

### Product versions

PN AR	Swage nipple, DKR-Flat, Steel
-------	-------------------------------