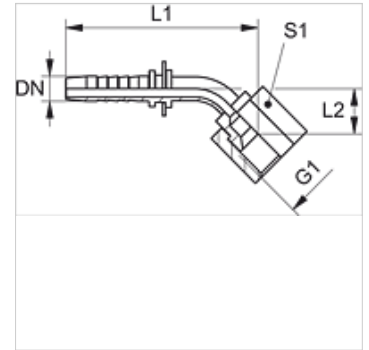


# PN ARI 45

## Swage nipple, JIS angle 45°

### Properties

<b>Application</b>	Swage nipple for HD 100 to HD 400, KP and TE hoses
<b>suitable for</b>	Toyota
<b>Connection 1</b>	BSP nut thread
<b>Sealing form 1</b>	60° inner cone
<b>Standard</b>	JIS 8363
<b>Material</b>	Steel
<b>Surface</b>	electro galvanised



### Note

Choose the appropriate ferrule based on the hose type.

### Item

Identification	DN	Size	Inches	Operating pressure (bar)	G1	L1 (mm)	L2 (mm)	S1
<b>PN 06 ARI 45</b>	6	4	1/4"	345,0	G 1/4" -19	80,0	23,0	19
<b>PN 08 ARI 10 45</b>	8	5	5/16"	345,0	G 3/8" -19	70,0	50,0	22
<b>PN 13 ARI 45</b>	12	8	1/2"	345,0	G 1/2" -14	93,0	25,0	27