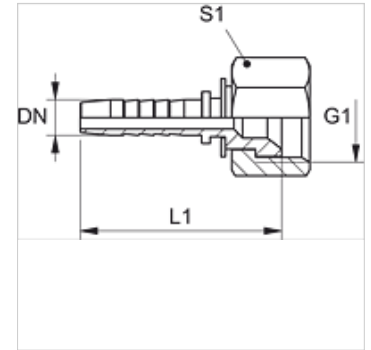


# PN ASA

## Swage nipple, SAE

### Properties

<b>Application</b>	Swage nipple for HD 100 to HD 400, KP and TE hoses
<b>Connection 1</b>	UN/UNF nut threads
<b>Sealing form 1</b>	45° inner cone
<b>Material</b>	Steel
<b>Surface</b>	electro galvanised



### Note

Choose the appropriate ferrule based on the hose type.

Item							
Identification	DN	Size	Inches	G1	L1 (mm)	S1	
PN 06 ASA 10	6	4	1/4"	5/8"-18 UNF	43,7	22	
PN 10 ASA	10	6	3/8"	5/8"-18 UNF	45,7	22	