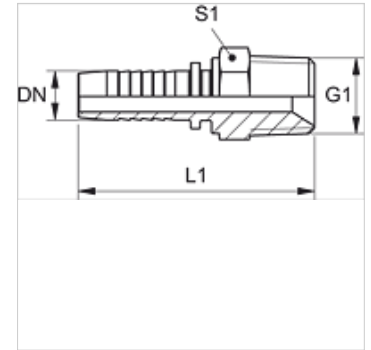


PN HBK VA

Swage nipple, AGR-K

Properties

Application	Swage nipple for HD 100 to HD 400, KP and TE hoses
Connection 1	BSPT conical external threads
Sealing form 1	thread seal
Short code	AGR-K
Material	Stainless steel



Note

Choose the appropriate ferrule based on the hose type.

Item

Identification	DN	Size	Inches	G1	S1
PN 06 HBK 02 VA	6	4	1/4"	R 1/8" K	14
PN 06 HBK VA	6	4	1/4"	R 1/4" K	14
PN 08 HBK 10 VA	8	5	5/16"	R 3/8" K	19
PN 10 HBK VA	10	6	3/8"	R 3/8" K	19
PN 10 HBK 13 VA	10	6	3/8"	R 1/2" K	22
PN 13 HBK 10 VA	12	8	1/2"	R 3/8" K	19
PN 13 HBK VA	12	8	1/2"	R 1.1/2" K	22
PN 13 HBK 20 VA	12	8	1/2"	R 3/4" K	27
PN 16 HBK 20 VA	16	10	5/8"	R 3/4" K	27
PN 20 HBK VA	19	12	3/4"	R 3/4" K	27
PN 20 HBK 25 VA	19	12	3/4"	R 1" K	36
PN 25 HBK VA	25	16	1"	R 1" K	36
PN 32 HBK VA	31	20	1.1/4"	R 1.1/4" K	46
PN 40 HBK VA	38	24	1.1/2"	R 1.1/2" K	50
PN 50 HBK VA	51	32	2"	R 2" K	65