

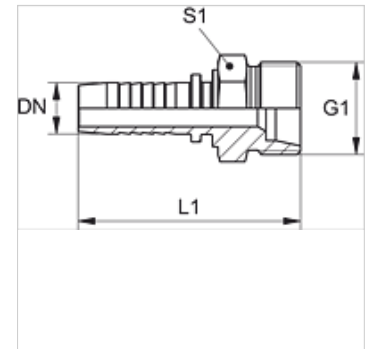
# PN HF

Swage nipple, AGF

**HANSA FLEX**

## Properties

<b>Application</b>	Swage nipple for HD 100 to HD 400, KP and TE hoses
<b>Connection 1</b>	metric cylindrical outer thread
<b>Sealing form 1</b>	24° inner cone for French series imperial pipe.
<b>Short code</b>	AGF
<b>Series</b>	French (imperial pipe - series gas)
<b>Material</b>	Steel
<b>Surface</b>	electro galvanised



## Note

Choose the appropriate ferrule based on the hose type.

## Item

Identification	DN	Size	Inches	Operating pressure (bar)	G1	for external pipe Ø mm	L1 (mm)	S1
PN 06 HF 10	6	4	1/4"	-	M 20 x 1.5	13,25	53,0	22
PN 08 HF 10	8	5	5/16"	400,0	M 20 x 1.5	13,25	55,0	22
PN 10 HF	10	6	3/8"	400,0	M 20 x 1.5	13,25	56,5	22
PN 10 HF 13	10	6	3/8"	250,0	M 24 x 1.5	16,75	58,0	24
PN 13 HF	12	8	1/2"	250,0	M 24 x 1.5	16,75	58,0	24
PN 16 HF	16	10	5/8"	250,0	M 30 x 1.5	21,26	65,7	30
PN 20 HF	19	12	3/4"	250,0	M 36 x 1.5	26,75	72,5	36
PN 25 HF	25	16	1"	160,0	M 45 x 1.5	33,50	85,5	46