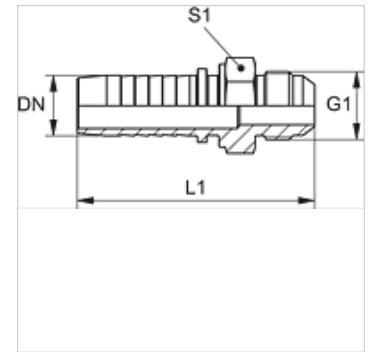


# PN HJ

## Swage nipple, AGJ

### Properties

<b>Application</b>	Swage nipple for HD 100 to HD 400, KP and TE hoses
<b>Connection 1</b>	UN/UNF external threads
<b>Sealing form 1</b>	74° outer cone
<b>Short code</b>	AGJ
<b>Standard</b>	ISO 8434-2
<b>Material</b>	Steel
<b>Surface</b>	electro galvanised



### Note

Choose the appropriate ferrule based on the hose type.

Item	DN	Size	Inches	G1	L1 (mm)	S1
PN 04 HJ 06	5	3	3/16"	7/16"-20 UNF	47,5	14
PN 06 HJ	6	4	1/4"	7/16"-20 UNF	53,5	14
PN 06 HJ 08	6	4	1/4"	1/2"-20 UNF	54,0	17
PN 06 HJ 10	6	4	1/4"	9/16"-18 UNF	53,5	17
PN 08 HJ	8	5	5/16"	1/2"-20 UNF	53,5	14
PN 08 HJ 10	8	5	5/16"	9/16"-18 UNF	53,5	19
PN 08 HJ 13	8	5	5/16"	3/4"-16 UNF	58,5	22
PN 10 HJ 08	10	6	3/8"	1/2"-20 UNF	55,0	17
PN 10 HJ	10	6	3/8"	9/16"-18 UNF	55,5	19
PN 10 HJ 13	10	6	3/8"	3/4"-16 UNF	59,0	22
PN 10 HJ 16	10	6	3/8"	7/8" -14 UNF	62,5	24
PN 13 HJ	12	8	1/2"	3/4"-16 UNF	60,0	22
PN 13 HJ 16	12	8	1/2"	7/8" -14 UNF	63,5	24
PN 13 HJ 20	12	8	1/2"	1.1/16" -12 UN	67,5	27
PN 16 HJ 14	16	10	5/8"	1.3/16" -12 UN	74,5	36
PN 16 HJ	16	10	5/8"	7/8" -14 UNF	68,0	24
PN 16 HJ 20	16	10	5/8"	1.1/16" -12 UN	72,0	32
PN 20 HJ 14	19	12	3/4"	1.3/16" -12 UN	79,5	32
PN 20 HJ 16	19	12	3/4"	7/8" -14 UNF	77,0	27
PN 20 HJ	19	12	3/4"	1.1/16" -12 UN	79,0	27
PN 20 HJ 25	19	12	3/4"	1.5/16" -12 UN	80,0	34
PN 25 HJ 14	25	16	1"	1.3/16" -12 UN	89,0	36
PN 25 HJ 20	25	16	1"	1.1/16" -12 UN	87,0	34
PN 25 HJ	25	16	1"	1.5/16" -12 UN	88,5	36
PN 25 HJ 32	25	16	1"	1.5/8" -12 UN	90,0	42
PN 32 HJ	31	20	1.1/4"	1.5/8" -12 UN	100,5	46
PN 32 HJ 40	31	20	1.1/4"	1.7/8" -12 UN	105,0	50
PN 40 HJ	38	24	1.1/2"	1.7/8" -12 UN	109,0	50
PN 50 HJ	51	32	2"	2.1/2" -12 UN	133,5	65

### Product versions

PN HJ VA	Swage nipple, AGJ, Stainless steel
----------	------------------------------------