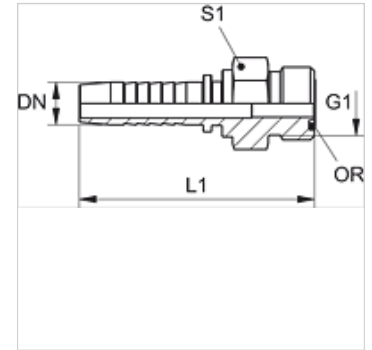


PN HJOF

Swage nipple, ORFS

Properties

Application	Swage nipple for HD 100 to HD 400, KP and TE hoses
Connection 1	UN/UNF external threads
Sealing form 1	flat seal with O-ring
Short code	ORFS
Standard	ISO 8434-3
Material	Steel
Surface	electro galvanised



Note

Choose the appropriate ferrule based on the hose type.

Item

Identification	DN	Size	Inches	G1	L1 (mm)	S1	OR
PN 06 HJOF	6	4	1/4"	9/16" -18 UNF	52,5	17	7.65 x 1.78
PN 06 HJOF 10	6	4	1/4"	11/16" -16 UN	54,0	19	9.25 x 1.78
PN 08 HJOF 10	8	5	5/16"	11/16" -16 UN	54,0	19	9.25 x 1.78
PN 10 HJOF	10	6	3/8"	11/16" -16 UN	56,0	19	9.25 x 1.78
PN 10 HJOF 13	10	6	3/8"	13/16" -16 UN	58,5	22	12.42 x 1.78
PN 10 HJOF 16	10	6	3/8"	1" -14 UNS	62,0	27	15.60 x 1.78
PN 13 HJOF	12	8	1/2"	13/16" -16 UN	60,0	22	12.42 x 1.78
PN 13 HJOF 16	12	8	1/2"	1" -14 UNS	63,5	27	15.60 x 1.78
PN 13 HJOF 20	12	8	1/2"	1.3/16" -12 UN	66,5	32	18.77 x 1.78
PN 16 HJOF	16	10	5/8"	1" -14 UNS	68,0	27	15.60 x 1.78
PN 16 HJOF 20	16	10	5/8"	1.3/16" -12 UN	71,0	32	18.77 x 1.78
PN 20 HJOF	19	12	3/4"	1.3/16" -12 UN	78,0	32	18.77 x 1.78
PN 20 HJOF 25	19	12	3/4"	1.7/16" -12 UN	82,5	41	23.52 x 1.78
PN 25 HJOF	25	16	1"	1.7/16" -12 UN	90,5	41	23.52 x 1.78
PN 32 HJOF	31	20	1.1/4"	1.11/16" -12 UN	101,5	46	29.87 x 1.78
PN 40 HJOF	38	24	1.1/2"	2" -12 UN	109,0	55	37.82 x 1.78