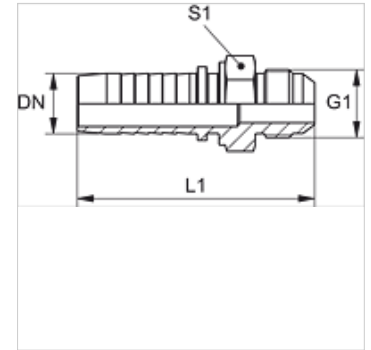


PN HJR

Swage nipple, JIS

Properties

Application	Swage nipple for HD 100 to HD 400, KP and TE hoses
suitable for	Toyota
Connection 1	BSP external thread, cylindrical
Sealing form 1	60° outer cone
Standard	JIS 8363
Material	Steel
Surface	electro galvanised



Note

Choose the appropriate ferrule based on the hose type.

Item

Identification	DN	Size	Inches	Operating pressure (bar)	G1	L1 (mm)	S1
PN 06 HJR	6	4	1/4"	345,0	G 1/4" -19	56,0	17
PN 08 HJR 10	8	5	5/16"	345,0	G 3/8" -19	58,5	19
PN 10 HJR	10	6	3/8"	345,0	G 3/8" -19	60,0	19
PN 13 HJR	12	8	1/2"	345,0	G 1/2" -14	63,5	22
PN 20 HJR	19	12	3/4"	275,0	G 3/4" -14	78,0	30