

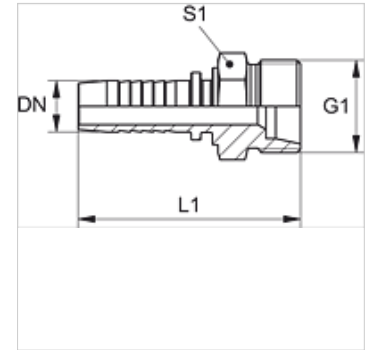
PN HLF / PN HSF

Swage nipple, AGFM

HANSA FLEX

Properties

Application	Swage nipple for HD 100 to HD 400, KP and TE hoses
Connection 1	metric cylindrical outer thread
Sealing form 1	24° inner cone for French series metric pipe.
Short code	AGFM
Series	French (metric pipe)
Material	Steel
Surface	electro galvanised



Note

Choose the appropriate ferrule based on the hose type.

Item										
Identification	DN	Size	Inches	Operating pressure (bar)	G1	Series	for external pipe Ø (mm)	L1 (mm)	S1	
PN 16 HLF	16	10	5/8"	250,0	M 27 x 1.5	L	18	62,7	28	
PN 20 HLF	19	12	3/4"	250,0	M 30 x 1.5	L	22	68,5	30	
PN 25 HLF	25	16	1"	160,0	M 36 x 1.5	L	28	78,5	36	
PN 16 HSF	16	10	5/8"	250,0	M 27 x 1.5	S	20	62,7	28	
PN 20 HSF	19	12	3/4"	250,0	M 33 x 1.5	S	25	69,5	34	
PN 25 HSF	25	16	1"	160,0	M 39 x 1.5	S	30	80,5	41	