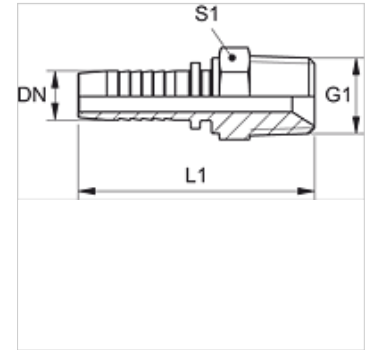


PN HN VA

Swage nipple, AGN

Properties

Application	Swage nipple for HD 100 to HD 400, KP and TE hoses
Connection 1	NPT external threads
Sealing form 1	thread seal, additional 60° inner cone.
Short code	AGN
Material	Stainless steel



Note

Choose the appropriate ferrule based on the hose type.

Item	DN	Size	Inches	Operating pressure (bar)	G1	S1
PN 06 HN 02 VA	6	4	1/4"	345,0	1/8" -27 NPT	14
PN 06 HN VA	6	4	1/4"	345,0	1/4" -18 NPT	14
PN 06 HN 10 VA	6	4	1/4"	275,0	3/8" -18 NPT	19
PN 08 HN 06 VA	8	5	5/16"	345,0	1/4" -18 NPT	-
PN 08 HN 10 VA	8	5	5/16"	275,0	3/8" -18 NPT	19
PN 10 HN 06 VA	10	6	3/8"	275,0	1/4" -18 NPT	-
PN 10 HN VA	10	6	3/8"	275,0	3/8" -18 NPT	19
PN 10 HN 13 VA	10	6	3/8"	240,0	1/2" -14 NPT	22
PN 13 HN 10 VA	12	8	1/2"	240,0	3/8" -18 NPT	19
PN 13 HN VA	12	8	1/2"	240,0	1/2" -14 NPT	22
PN 13 HN 20 VA	12	8	1/2"	210,0	3/4" -14 NPT	27
PN 16 HN 13 VA	16	10	5/8"	210,0	1/2" -14 NPT	-
PN 16 HN 20 VA	16	10	5/8"	210,0	3/4" -14 NPT	27
PN 20 HN 13 VA	19	12	3/4"	210,0	1/2" -14 NPT	-
PN 20 HN VA	19	12	3/4"	210,0	3/4" -14 NPT	27
PN 20 HN 25 VA	19	12	3/4"	170,0	1" -11.5 NPT	36
PN 25 HN 20 VA	25	16	1"	170,0	3/4" -14 NPT	-
PN 25 HN VA	25	16	1"	170,0	1" -11.5 NPT	36
PN 25 HN 32 VA	25	16	1"	150,0	1.1/4" -11.5 NPT	-
PN 32 HN VA	31	20	1.1/4"	150,0	1.1/4" -11.5 NPT	46
PN 32 HN 40 VA	31	20	1.1/4"	140,0	1.1/2" -11.5 NPT	-
PN 40 HN VA	38	24	1.1/2"	140,0	1.1/2" -11.5 NPT	50
PN 50 HN VA	51	32	2"	140,0	2" -11.5 NPT	65

Product versions

PN HN	Swage nipple, AGN, Steel
-------	--------------------------