

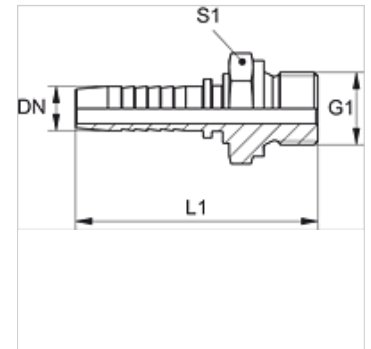
PN HR

Swage nipple, AGR-Flat

HANSA FLEX

Properties

Application	Swage nipple for HD 100 to HD 400, KP and TE hoses
Connection 1	BSP external thread, cylindrical
Sealing form 1	flat sealing
Short code	AGR-Flat
Material	Steel
Surface	electro galvanised



Note

Choose the appropriate ferrule based on the hose type.

Item	Identification	DN	Size	Inches	G1	L1 (mm)	S1
PN 04 HR		5	3	3/16"	G 1/8" -28	43,5	14
PN 06 HR		6	4	1/4"	G 1/4" -19	51,5	19
PN 06 HR 10		6	4	1/4"	G 3/8" -19	54,5	22
PN 08 HR 06		8	5	5/16"	G 1/4" -19	52,0	19
PN 08 HR 10		8	5	5/16"	G 3/8" -19	55,0	22
PN 10 HR		10	6	3/8"	G 3/8" -19	56,0	22
PN 10 HR 13		10	6	3/8"	G 1/2" -14	61,0	27
PN 13 HR 10		12	8	1/2"	G 3/8" -19	57,0	22
PN 13 HR		12	8	1/2"	G 1/2" -14	62,0	27
PN 13 HR 16		12	8	1/2"	G 5/8" -14	63,0	30
PN 13 HR 20		12	8	1/2"	G 3/4" -14	66,0	32
PN 16 HR		16	10	5/8"	G 5/8" -14	67,5	30
PN 16 HR 20		16	10	5/8"	G 3/4" -14	70,5	32
PN 16 HR 25		16	10	5/8"	G 1" -11	77,0	41
PN 20 HR		19	12	3/4"	G 3/4" -14	78,0	32
PN 20 HR 25		19	12	3/4"	G 1" -11	84,5	41
PN 20 HR 32		19	12	3/4"	G 1.1/4" -11	90,5	50
PN 25 HR		25	16	1"	G 1" -11	92,0	41
PN 25 HR 32		25	16	1"	G 1.1/4" -11	98,0	50
PN 32 HR		31	20	1.1/4"	G 1.1/4" -11	107,0	50
PN 40 HR		38	24	1.1/2"	G 1.1/2" -11	112,5	55
PN 50 HR		51	32	2"	G 2" -11	134,5	70

Product versions

PN HR VA Swage nipple, AGR-Flat, Stainless steel