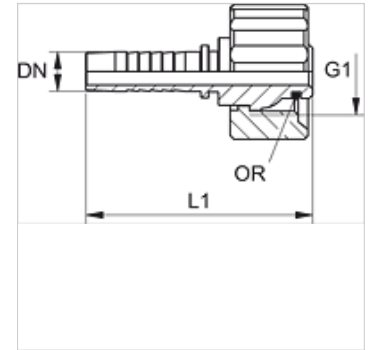


PN KAE

Swage nipple, KAE

Properties

Application	for HF/HW 100 and HF/HW 200 hoses
Connection 1	metric nut thread
Sealing form 1	Outer cone with O-ring
suitable for	Kärcher high pressure cleaners (up to 12/1997)
Material	Steel
Surface	electro galvanised



Note

Choose the appropriate ferrule based on the hose type.

Item

Identification	DN	Size	Inches	G1	OR
PN 06 KAE	6	4	1/4"	M 22 x 1.5	10.0 x 2.0
PN 08 KAE	8	5	5/16"	M 22 x 1.5	10.0 x 2.0
PN 10 KAE	10	6	3/8"	M 22 x 1.5	10.0 x 2.0

Product versions

PN KAE VA	Swage nipple, KAE, Stainless steel
-----------	------------------------------------