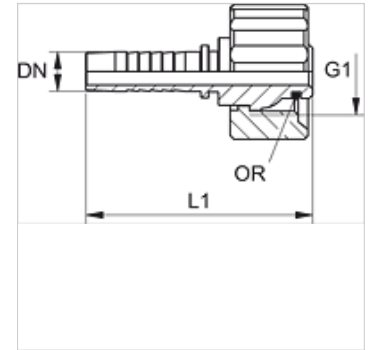


PN KAE 97

Swage nipple, KAE 97

Properties

Application	for HF/HW 100 and HF/HW 200 hoses
Connection 1	metric nut thread
Sealing form 1	Outer cone with O-ring
suitable for	Kärcher high pressure cleaners (from 12/1997)
Material	Steel
Surface	electro galvanised



Note

Choose the appropriate ferrule based on the hose type.

Item					
Identification	DN	Size	Inches	G1	OR
PN 06 KAE 97	6	4	1/4"	M 22 x 1.5	11.0 x 1.5
PN 08 KAE 97	8	5	5/16"	M 22 x 1.5	11.0 x 1.5
PN 10 KAE 97	10	6	3/8"	M 22 x 1.5	11.0 x 1.5