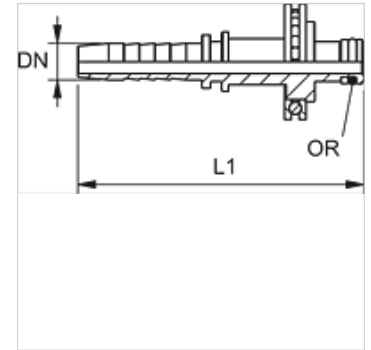


# PN KAE STD

Swage nipple, KAE STD

## Properties

<b>Application</b>	for HF/HW 100 and HF/HW 200 hoses
<b>Connection 1</b>	Rotating plug-in connection with ball bearing
<b>Sealing form 1</b>	O-ring sealed pin
<b>suitable for</b>	Kärcher high pressure cleaners
<b>Material</b>	Steel
<b>Surface</b>	electro galvanised



## Note

Not suitable for use as rotary fitting.  
Choose the appropriate ferrule based on the hose type.

## Description

Self-aligning to prevent torsional stress.

## Item

Identification	DN	Size	Inches	D1 (mm)	OR
PN 08 KAE STD	8	5	5/16"	11,0	7.65 x 1.78