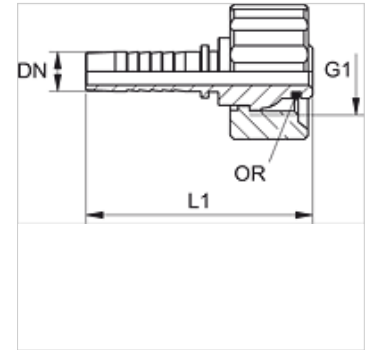


# PN KAE VA

Swage nipple, KAE

## Properties

<b>Application</b>	for HF/HW 100 and HF/HW 200 hoses
<b>Connection 1</b>	metric nut thread
<b>Sealing form 1</b>	Outer cone with O-ring
<b>suitable for</b>	Kärcher high pressure cleaners (up to 12/1997)
<b>Material</b>	Stainless steel



## Note

Choose the appropriate ferrule based on the hose type.

## Item

Identification	DN	Size	Inches	G1	OR
PN 06 KAE VA	6	4	1/4"	M 22 x 1.5	10.0 x 2.0
PN 08 KAE VA	8	5	5/16"	M 22 x 1.5	10.0 x 2.0
PN 10 KAE VA	10	6	3/8"	M 22 x 1.5	10.0 x 2.0
PN 13 KAE VA	12	8	1/2"	M 22 x 1.5	10.0 x 2.0

## Product versions

PN KAE	Swage nipple, KAE, Steel
--------	--------------------------