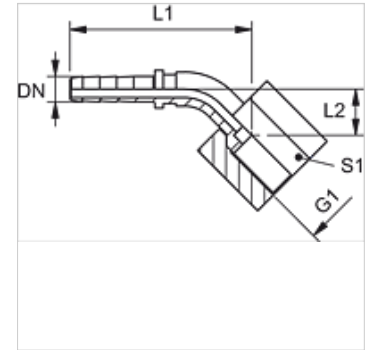


PN MMA 45

Swage nipple, measuring hose angle 45°

Properties

Connection 1	BSP nut thread with pressure gauge connection
Material	Steel
Surface	electro galvanised



Note

Appropriate ferrule: PMH 102.

Item

Identification	DN	Size	Inches	G1	L1 (mm)	L2 (mm)	S1
PN 02 MMA 1/4 45	2	1	5/64"	G 1/4" -19	47,0	14	17
PN 02 MMA 1/2 45	2	1	5/64"	G 1/2" -14	54,5	21	27

DN = Nominal diameter, nominal width