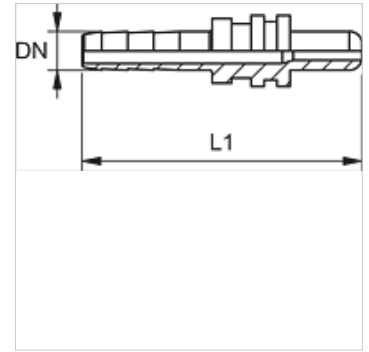


PN S

Swage nipple, measuring hose

Properties

Design	O-ring sealed pin
Connection 1	Plug connection
Sealing form 1	O-ring sealed pin
Scope of supply	with dust protection
Material	Steel
Surface	electro galvanised



Note

Appropriate ferrule: PMH 102.

Description

Self-aligning to prevent torsional stress.

Item

Identification	DN	Size	Inches	L1 (mm)
PN 02 S	2	1	5/64"	27

DN = Nominal diameter, nominal width