

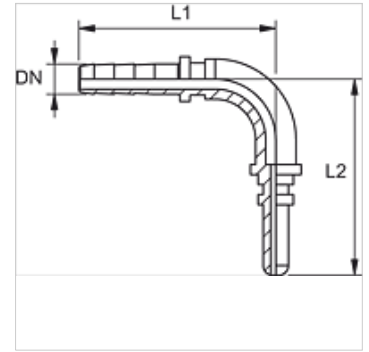
# PN S 90

Swage nipple, measuring hose angle 90°

**HANSA FLEX**

## Properties

<b>Design</b>	O-ring sealed pin
<b>Connection 1</b>	Plug connection
<b>Sealing form 1</b>	O-ring sealed pin
<b>Scope of supply</b>	without dust protection
<b>Material</b>	Steel
<b>Surface</b>	electro galvanised



## Note

Appropriate ferrule: PMH 102.

## Description

Self-aligning to prevent torsional stress.

## Item

Identification	DN	Size	Inches	L1 (mm)	L2 (mm)
<b>PN 02 S 90</b>	2	1	5/64"	32	41

DN = Nominal diameter, nominal width