

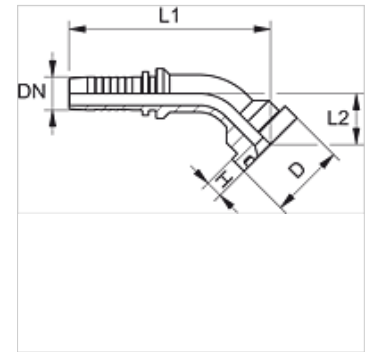
PN SF 45 VA

Swage nipple, SFL angle 45°

HANSA FLEX

Properties

Application	Swage nipple for HD 100 to HD 400, KP and TE hoses
Connection 1	SAE flange connection 3000 PSI
Sealing form 1	flat seal with SF O-ring
Short code	SFL
Standard	SAE J518 ISO 6162-1
Material	Stainless steel



Note

Choose the appropriate ferrule based on the hose type.

Ordering information

Seals of NBR

FPM (Viton) on request

Item

Identification	DN	Size	Inches	Flange size	Operating pressure (bar)	D (mm)	H (mm)	L2 (mm)
PN 13 SF 45 VA	12	8	1/2"	1/2"	350,0	30,2	6,7	30,0
PN 13 SF 20 45 VA	12	8	1/2"	3/4"	350,0	38,1	6,7	34,0
PN 16 SF 13 45 VA	16	10	5/8"	1/2"	350,0	30,2	6,7	34,0
PN 16 SF 20 45 VA	16	10	5/8"	3/4"	350,0	38,1	6,7	34,0
PN 20 SF 45 VA	19	12	3/4"	3/4"	350,0	38,1	6,7	36,0
PN 20 SF 25 45 VA	19	12	3/4"	1"	320,0	44,5	8,0	31,0
PN 25 SF 45 VA	25	16	1"	1"	320,0	44,5	8,0	39,0
PN 25 SF 32 45 VA	25	16	1"	1.1/4"	280,0	50,8	8,0	43,0
PN 32 SF 45 VA	31	20	1.1/4"	1.1/4"	280,0	50,8	8,0	44,0
PN 32 SF 40 45 VA	31	20	1.1/4"	1.1/2"	210,0	60,3	8,0	36,0
PN 40 SF 45 VA	38	24	1.1/2"	1.1/2"	210,0	60,3	8,0	45,0
PN 40 SF 50 45 VA	38	24	1.1/2"	2"	210,0	71,4	9,5	58,0
PN 50 SF 45 VA	51	32	2"	2"	210,0	71,4	9,5	57,0
PN 60 SF 45 VA	60	40	2.3/8"	2.1/2"	175,0	84,1	9,5	-

Product versions

PN SF 45 Swage nipple, SFL angle 45°, Steel