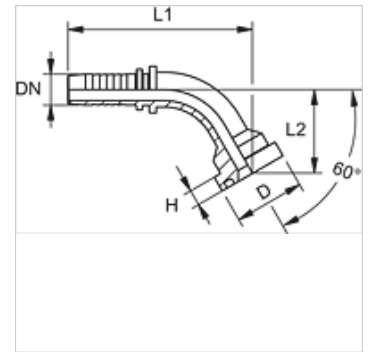


PN SF6 60

Swage nipple, SFS angle 60°

Properties

Application	Swage nipple for HD 100 to HD 400, KP and TE hoses
Connection 1	SAE flange connection 6000 PSI
Sealing form 1	flat seal with SF O-ring
Short code	SFS
Standard	SAE J518 ISO 6162-2
Material	Steel
Surface	electro galvanised



Note

Choose the appropriate ferrule based on the hose type.

Item

Identification	DN	Size	Inches	Flange size	D (mm)	H (mm)	L1 (mm)	L2 (mm)
PN 20 SF6 25 60 L 80	19	12	3/4"	1"	47,6	9,5	141,0	80,0