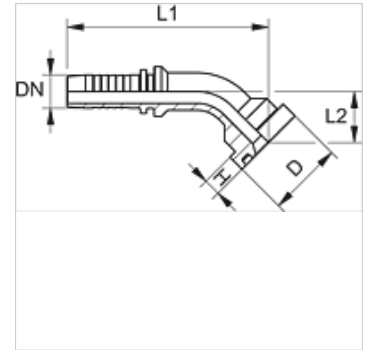


PN SFK 45

Swage nipple, SFK angle 45°

Properties

Application	Swage nipple for HD 100 to HD 400, KP and TE hoses
Connection 1	SAE flange connection for Komatsu
Sealing form 1	flat seal with SF O-ring
suitable for	Komatsu
Material	Steel
Surface	electro galvanised



Note

Choose the appropriate ferrule based on the hose type.

Item

Identification	DN	Size	Inches	Flange size	D (mm)	H (mm)	L1 (mm)	L2 (mm)
PN 16 SFK 45	16	10	5/8"	5/8"	34,0	8,1	100,0	27,0