

# PN SKE

Swage nipple, measuring hose

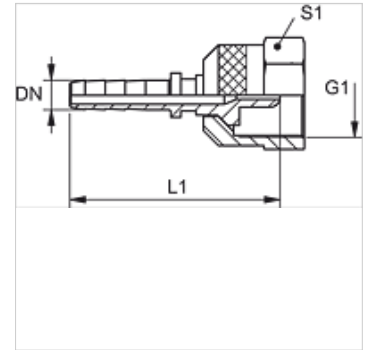
## Properties

**Application** Measuring equipment

**Connection 1** metric nut thread

**Material** Steel

**Surface** electro galvanised



## Note

Appropriate ferrule: PMH 102.

PN 02 SKE 12 without hex.

## Item

Identification	DN	Size	Inches	G1	L1 (mm)	S1
PN 02 SKE	2	1	5/64"	M 16 x 2	32,5	19
PN 02 SKE 12	2	1	5/64"	S 12.65 x 1.5	32,5	-
PN 02 SKE 16	2	1	5/64"	M 16 x 1.5	32,5	19

DN = Nominal diameter, nominal width