

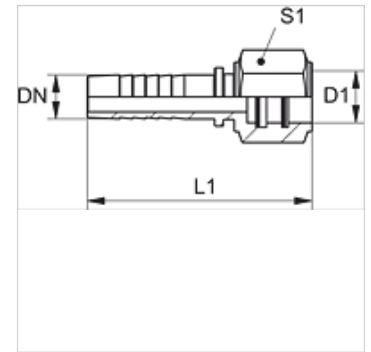
PN WEO SB

Swage nipple, bushing for WEO plug-in connection

HANSA FLEX

Properties

Application	Swage nipple for HD 100 to HD 400, KP and TE hoses
Connection 1	Bushing
Sealing form 1	O-ring sealed
Material	Steel
Surface	electro galvanised



Note

Choose the appropriate ferrule based on the hose type.

Description

Self-aligning to prevent torsional stress.

Item

Identification	DN	Size	Inches	Operating pressure	Size	Ø D1 (mm)	L1 (mm)	S1
PN 06 WEO 10 SB	6	4	1/4"	PN 350	1/4"	10,0	62,0	19
PN 10 WEO 13 SB	10	6	3/8"	PN 350	3/8"	13,0	66,0	22
PN 13 WEO 16 SB	12	8	1/2"	PN 350	1/2"	16,0	67,0	27
PN 20 WEO 23 SB	19	12	3/4"	PN 350	3/4"	23,0	87,0	32
PN 25 WEO 30 SB	25	16	1"	PN 250	1"	30,0	105,0	41

Spare parts

WEO B DISA WEO sealing set