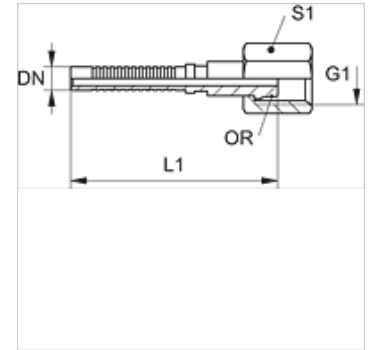


PNY 2100 AOS

Swage nipple, DKOS

Properties

Connection 1	metric nut thread
Sealing form 1	24° outer cone with O-ring
Short code	DKOS
Standard	ISO 8434-1
Material	Steel
Surface	electro galvanised



Note

Appropriate ferrule: PHY 2106.

Item

Identification	DN	Size	Inches	G1	for external pipe Ø (mm)	S1	OR
PNY 2106 AOS 04	6	4	1/4"	M 16 x 1.5	8	19	6.0 x 1.5
PNY 2106 AOS	6	4	1/4"	M 18 x 1.5	10	22	7.5 x 1.5