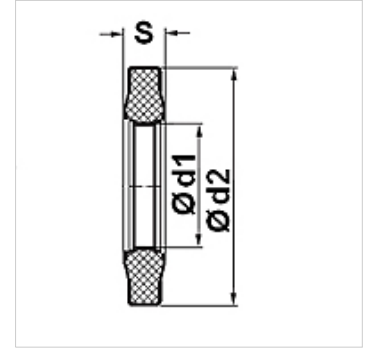


# SF O-RING PU

O-ring for SAE flange connection

## Properties

Standard	SAE J518
Temp. min.	-30 °C
Temp. max.	100 °C
Material	Polyurethane 93 Shore A



## Description

Increased sealing effect due to additional sealing edge.

## Item

Identification	DN*	Size	Inches	Ø d1 (mm)	Ø d2 (mm)	S (mm)
SF ORING 13 PU	12	8	1/2"	18,40	25,40	3,45
SF ORING 20 PU	19	12	3/4"	24,80	31,80	3,45
SF ORING 25 PU	25	16	1"	32,70	39,70	3,45
SF ORING 32 PU	31	20	1.1/4"	37,50	44,50	3,45
SF ORING 40 PU	38	24	1.1/2"	46,80	53,80	3,45
SF ORING 50 PU	51	32	2"	56,40	63,40	3,45

## Product versions

SF O-RING V