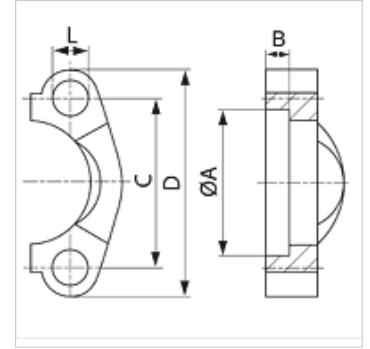


SFH (3000 PSI / 6000 PSI) VA

SAE flange half

Properties

Design	SAE flange half
Standard	SAE J518, ISO 6162-1 /-2
Scope of supply	flange only
Material	Stainless steel
Mounting	Screw bore hole



Note

Recommended screws are listed in the columns M (metr) and M (unc).

Item

Identification	Pressure series	Flange size	PB 10.9 (bar)	A (mm)	B (mm)	C (mm)	D (mm)	L (mm)	M metr.	M unc
SFH 13 VA	3000 PSI	1/2"	350	31,0	6,2	38,1	54	8,7	M 8 x 25	5/16" x 1.1/4"
SFH 20 VA	3000 PSI	3/4"	350	38,9	6,2	47,6	65	10,7	M 10 x 30	3/8" x 1.1/4"
SFH 25 VA	3000 PSI	1"	315	45,2	7,5	52,4	70	10,7	M 10 x 30	3/8" x 1.1/4"
SFH 32 VA	3000 PSI	1.1/4"	250	51,6	7,5	58,7	79	12,0	M 10 x 30	7/16" x 1.1/2"
SFH 40 VA	3000 PSI	1.1/2"	200	61,1	7,5	69,9	94	13,5	M 12 x 35	1/2" x 1.1/2"
SFH 50 VA	3000 PSI	2"	200	72,2	9,0	77,8	102	13,5	M 12 x 35	1/2" x 1.1/2"
SFH 60 VA	3000 PSI	2.1/2"	160	84,9	9,0	88,9	114	13,5	M 12 x 40	1/2" x 1.1/2"
SFH 75 VA	3000 PSI	3"	160	102,4	9,0	106,4	135	17,0	M 16 x 50	5/8" x 2"
SFH6 13 VA	6000 PSI	1/2"	400	32,5	7,2	40,5	56	8,7	M 8 x 30	5/16" x 1.1/4"
SFH6 20 VA	6000 PSI	3/4"	400	42,1	8,3	50,8	71	10,7	M 10 x 35	3/8" x 1.1/2"
SFH6 25 VA	6000 PSI	1"	400	48,4	9,0	57,2	81	13,0	M 12 x 45	-
SFH6 32 VA	6000 PSI	1.1/4"	400	54,8	9,8	66,7	95	14,7	M 14 x 45	-
SFH6 40 VA	6000 PSI	1.1/2"	400	64,3	12,1	79,4	113	17,0	M 16 x 55	5/8" x 2"
SFH6 50 VA	6000 PSI	2"	400	80,2	12,1	96,8	133	21,0	M 20 x 70	3/4" x 2.1/2"

Accessories

AFS SCHR M	Metric screw set, hexagon socket
AFS SCHR U	UNC screw set, hexagon socket
SCHRAUBE M	Hexagon socket screw
SCHRAUBE M VZ	Hexagon socket screw