

SIN AB

Swage nipple, DKR

Properties

Connection 1 BSP nut thread

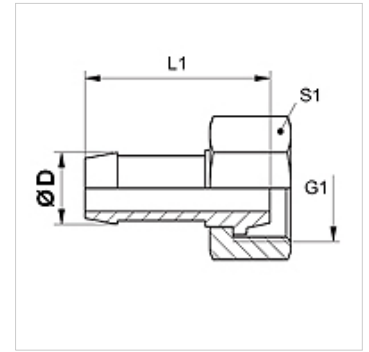
Sealing form 1 60° outer cone

Short code DKR

Standard ISO 228-1
ISO 8434-6
BS 5200

Material Steel

Surface electro galvanised



Note

Choose the appropriate ferrule based on the hose type.

Item

Identification	DN	Size	Inches	Ø D (mm)	G1
SIN 04 AB	4	3	3/16"	6,0	G 1/8" -28
SIN 04 AB 06	4	3	3/16"	6,0	G 1/4" -19
SIN 06 AB	6	4	1/4"	8,0	G 1/4" -19
SIN 08 AB 10	8	5	5/16"	10,0	G 3/8" -19
SIN 10 AB 13	10	6	3/8"	12,0	G 1/2" -14