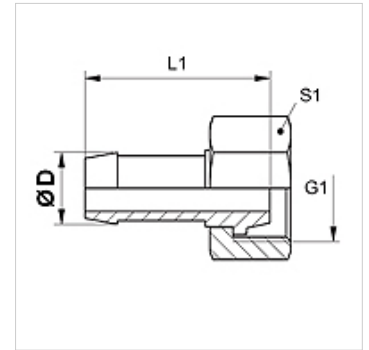


Properties

Connection 1	metric nut thread
Sealing form 1	24°/60° Universal sealing head
Short code	DKL
Standard	similar to DIN 3863
Material	Steel
Surface	electro galvanised



Note

Choose the appropriate ferrule based on the hose type.

Item							
Identification	DN	Size	Inches	Ø D (mm)	G1	L1 (mm)	S1
SIN 03 AFL 02	3	2	1/8"	5,0	M 10 x 1	27	12
SIN 04 AFL	4	3	3/16"	6,0	M 12 x 1.5	30	14
SIN 04 AFL 06	4	3	3/16"	6,0	M 14 x 1.5	31	17
SIN 04 AFL 08	4	3	3/16"	6,0	M 16 x 1.5	31	19
SIN 06 AFL	6	4	1/4"	8,0	M 14 x 1.5	32	17
SIN 06 AFL 08	6	4	1/4"	8,0	M 16 x 1.5	33	19
SIN 08 AFL	8	5	5/16"	10,0	M 16 x 1.5	33	19
SIN 08 AFL 10	8	5	5/16"	10,0	M 18 x 1.5	33	22
SIN 10 AFL	10	6	3/8"	12,0	M 18 x 1.5	35	22
SIN 13 AFL	12	8	1/2"	15,0	M 22 x 1.5	43	27
SIN 13 AFL 16	12	8	1/2"	15,0	M 26 x 1.5	41	32
SIN 16 AFL	16	10	5/8"	18,0	M 26 x 1.5	42	32