

SIN AM

Swage nipple, DKM-Flat

Properties

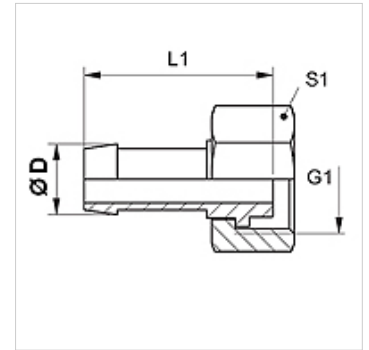
Connection 1 metric nut thread

Sealing form 1 flat sealing

Short code DKM flat

Material Steel

Surface electro galvanised



Note

Choose the appropriate ferrule based on the hose type.

Item						
Identification	DN	Size	Inches	Ø D (mm)	G1	S1
SIN 03 AM 02	3	2	1/8"	5,0	M 10 x 1	12
SIN 04 AM	4	3	3/16"	6,0	M 12 x 1.5	14
SIN 06 AM	6	4	1/4"	8,0	M 14 x 1.5	17
SIN 08 AM	8	5	5/16"	10,0	M 16 x 1.5	19
SIN 10 AM	10	6	3/8"	12,0	M 18 x 1.5	22
SIN 13 AM	12	8	1/2"	15,0	M 22 x 1.5	27
SIN 13 AM 16	12	8	1/2"	15,0	M 26 x 1.5	32
SIN 16 AM	16	10	5/8"	18,0	M 26 x 1.5	32