

SIN B

Swage nipple, RGN

HANSA FLEX

Properties

Connection 1 Banjo for metric hollow screw

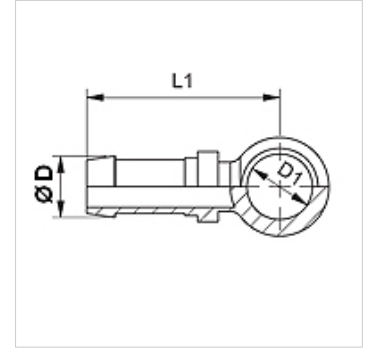
Sealing form 1 Sealed by copper ring

Short code RGN

Standard DIN 7642

Material Steel

Surface electro galvanised



Note

Choose the appropriate ferrule based on the hose type.

Item

| Identification | DN | Size | Inches | Ø D (mm) | D1 (mm) | for hollow screw |
|----------------|----|------|--------|----------|---------|------------------|
| SIN 03 B 02 | 3 | 2 | 1/8" | 5,0 | 8 | M 8 |
| SIN 04 B | 4 | 3 | 3/16" | 6,0 | 10 | M 10 |
| SIN 04 B 06 | 4 | 3 | 3/16" | 6,0 | 12 | M 12 |
| SIN 04 B 08 | 4 | 3 | 3/16" | 6,0 | 14 | M 14 |
| SIN 06 B 04 | 6 | 4 | 1/4" | 8,0 | 10 | M 10 |
| SIN 06 B | 6 | 4 | 1/4" | 8,0 | 12 | M 12 |
| SIN 06 B 08 | 6 | 4 | 1/4" | 8,0 | 14 | M 14 |
| SIN 08 B 06 | 8 | 5 | 5/16" | 10,0 | 12 | M 12 |
| SIN 08 B | 8 | 5 | 5/16" | 10,0 | 14 | M 14 |
| SIN 08 B 10 | 8 | 5 | 5/16" | 10,0 | 16 | M 16 |
| SIN 08 B 13 | 8 | 5 | 5/16" | 10,0 | 18 | M 18 |
| SIN 10 B | 10 | 6 | 3/8" | 12,0 | 16 | M 16 |
| SIN 10 B 13 | 10 | 6 | 3/8" | 12,0 | 18 | M 18 |
| SIN 13 B | 12 | 8 | 1/2" | 15,0 | 18 | M 18 |
| SIN 13 B 16 | 12 | 8 | 1/2" | 15,0 | 22 | M 22 |
| SIN 13 B 20 | 12 | 8 | 1/2" | 15,0 | 26 | M 26 |
| SIN 16 B | 16 | 10 | 5/8" | 18,0 | 22 | M 22 |
| SIN 16 B 20 | 16 | 10 | 5/8" | 18,0 | 26 | M 26 |