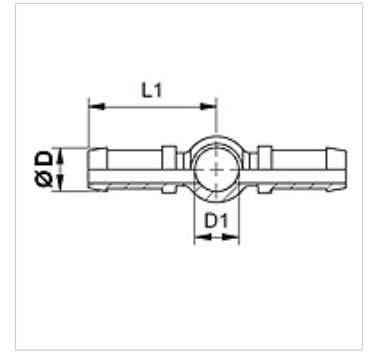


SIN BD

Swage nipple, RGN

Properties

Connection 1	Banjo for metric hollow screw
Connection 2 + 3	Hose connection
Sealing form 1	Sealed by copper ring
Design	Double hose connection
Short code	RGN
Standard	DIN 7642
Material	Steel
Surface	electro galvanised



Note

Choose the appropriate ferrule based on the hose type.

Item

Identification	DN	Size	Inches	Ø D (mm)	D1 (mm)	for hollow screw
SIN 03 BD 02	3	2	1/8"	5,0	8	M 8
SIN 04 BD	4	3	3/16"	6,0	10	M 10
SIN 06 BD	6	4	1/4"	8,0	12	M 12
SIN 08 BD	8	5	5/16"	10,0	14	M 14