

SIN BR

Swage nipple, RGN

Properties

Connection 1 Banjo for imperial hollow screw

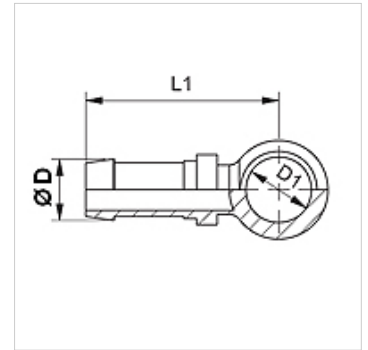
Sealing form 1 Sealed by copper ring

Short code RNR

Standard DIN 7642

Material Steel

Surface electro galvanised



Note

Choose the appropriate ferrule based on the hose type.

Item

Identification	DN	Size	Inches	Ø D (mm)	D1 (mm)	for hollow screw
SIN 04 BR 06	4	3	3/16"	6,0	13,5	R 1/4"
SIN 06 BR 10	6	4	1/4"	8,0	16,8	R 3/8"