

SIN DES

Swage nipple, DES

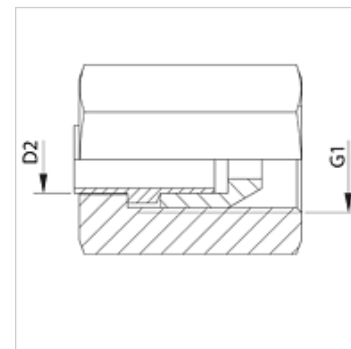
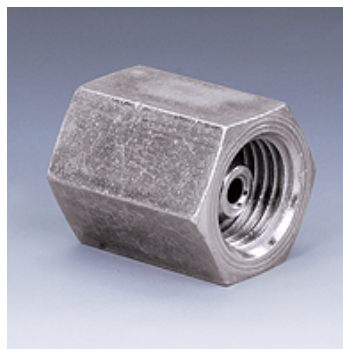
Properties

Connection 1 metric cylindrical inner thread

suitable for Diesel quick connector

Material Steel

Surface electro galvanised



Item

Identification	G1	for external pipe Ø (mm)
SIN 12 DES	M 12 x 1.5	6
SIN 14 DES	M 14 x 1.5	6