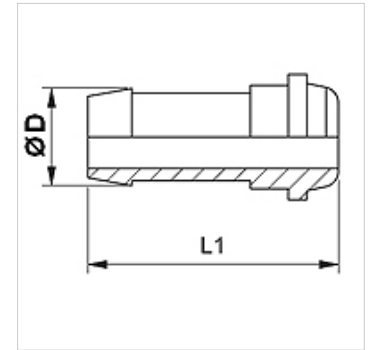


## Properties

Sealing form 1	24°/60° outer cone
Standard	similar to DIN 3863
Scope of supply	Nipple without union nut
Material	Steel
Surface	electro galvanised



## Note

Choose the appropriate ferrule based on the hose type.

Item						
Identification	DN	Size	Inches	Ø D (mm)	for metric union nut	for BSP union nut
SIN 03 DK	3	2	1/8"	5,0	SUEM02L	SUEM03R04
SIN 04 DK	4	3	3/16"	6,0	SUEM04L	SUEM04R06
SIN 04 DK 06	4	3	3/16"	6,0	SUEM06L	-
SIN 04 DK 08	4	3	3/16"	6,0	SUEM08L	-
SIN 06 DK	6	4	1/4"	8,0	SUEM06L	SUEM06R
SIN 06 DK 08	6	4	1/4"	8,0	SUEM08L	-
SIN 08 DK	8	5	5/16"	10,0	SUEM08L	SUEM08R10
SIN 08 DK 10	8	5	5/16"	10,0	SUEM10L	-
SIN 10 DK	10	6	3/8"	12,0	SUEM10L	-
SIN 13 DK	12	8	1/2"	15,0	SUEM13L	-
SIN 13 DK 16	12	8	1/2"	15,0	SUEM16L	-
SIN 16 DK	16	10	5/8"	18,0	SUEM16L	-