

# SIN H

Swage nipple, AGM

## Properties

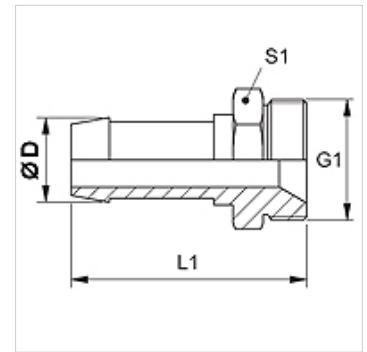
**Connection 1** metric cylindrical outer thread

**Sealing form 1** 60° inner cone

**Short code** AGM

**Material** Steel

**Surface** electro galvanised



## Note

Choose the appropriate ferrule based on the hose type.

## Item

Identification	DN	Size	Inches	Ø D (mm)	G1
SIN 03 H 02	3	2	1/8"	5,0	M 10 x 1
SIN 04 H	4	3	3/16"	6,0	M 12 x 1.5
SIN 06 H	6	4	1/4"	8,0	M 14 x 1.5
SIN 08 H	8	5	5/16"	10,0	M 16 x 1.5
SIN 10 H	10	6	3/8"	12,0	M 18 x 1.5
SIN 13 H	12	8	1/2"	15,0	M 22 x 1.5
SIN 13 H 16	12	8	1/2"	15,0	M 26 x 1.5
SIN 16 H	16	10	5/8"	18,0	M 26 x 1.5