

# SIN HB

Swage nipple, AGR

## Properties

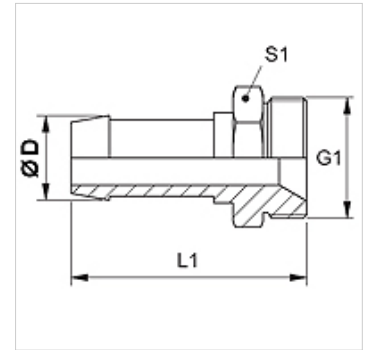
**Connection 1** BSP external thread, cylindrical

**Sealing form 1** 60° inner cone

**Short code** AGR

**Standard** ISO 228-1  
ISO 8434-6  
BS 5200

**Material** Brass



## Note

Choose the appropriate ferrule based on the hose type.

## Item

| Identification | DN | Size | Inches | Ø D<br>(mm) | G1         |
|----------------|----|------|--------|-------------|------------|
| SIN 03 HB 04   | 3  | 2    | 1/8"   | 5,0         | G 1/8" -28 |
| SIN 04 HB 06   | 4  | 3    | 3/16"  | 6,0         | G 1/4" -19 |
| SIN 06 HB      | 6  | 4    | 1/4"   | 8,0         | G 1/4" -19 |
| SIN 06 HB 10   | 6  | 4    | 1/4"   | 8,0         | G 3/8" -19 |
| SIN 08 HB 10   | 8  | 5    | 5/16"  | 10,0        | G 3/8" -19 |
| SIN 10 HB 13   | 10 | 6    | 3/8"   | 12,0        | G 1/2" -14 |
| SIN 13 HB      | 12 | 8    | 1/2"   | 15,0        | G 1/2" -14 |