

SIN HL

Swage nipple, CEL

Properties

Connection 1 metric cylindrical outer thread

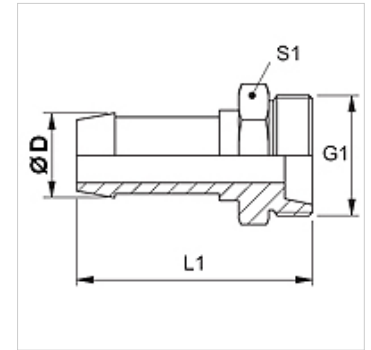
Sealing form 1 24° inner cone

Short code CEL

Standard DIN 3861
DIN ISO 12151-2

Material Steel

Surface electro galvanised



Note

Choose the appropriate ferrule based on the hose type.

Item

Identification	DN	Size	Inches	Ø D (mm)	G1	for external pipe Ø (mm)
SIN 03 HL	3	2	1/8"	5,0	M 10 x 1	5
SIN 04 HL	4	3	3/16"	6,0	M 12 x 1.5	6
SIN 06 HL	6	4	1/4"	8,0	M 14 x 1.5	8
SIN 08 HL	8	5	5/16"	10,0	M 16 x 1.5	10
SIN 10 HL	10	6	3/8"	12,0	M 18 x 1.5	12
SIN 13 HL	12	8	1/2"	15,0	M 22 x 1.5	15
SIN 13 HL 16	12	8	1/2"	15,0	M 26 x 1.5	18
SIN 16 HL	16	10	5/8"	18,0	M 26 x 1.5	18