

SIN HM

Swage nipple, AGM-Flat

Properties

Connection 1 metric cylindrical outer thread

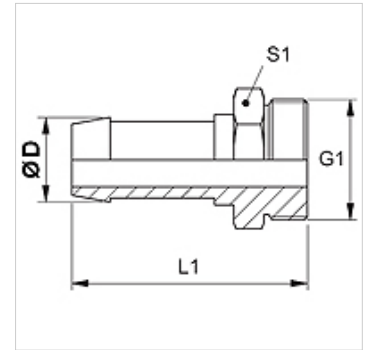
Sealing form 1 flat sealing

Short code AGM

Standard DIN 3852
ISO 724

Material Steel

Surface electro galvanised



Note

Choose the appropriate ferrule based on the hose type.

Item

Identification	DN	Size	Inches	Ø D (mm)	G1
SIN 13 HM	12	8	1/2"	15,0	M 22 x 1.5
SIN 13 HM 16	12	8	1/2"	15,0	M 26 x 1.5
SIN 16 HM	16	10	5/8"	18,0	M 26 x 1.5