

# SIN HN

Swage nipple, AGN

## Properties

**Connection 1** NPT external threads

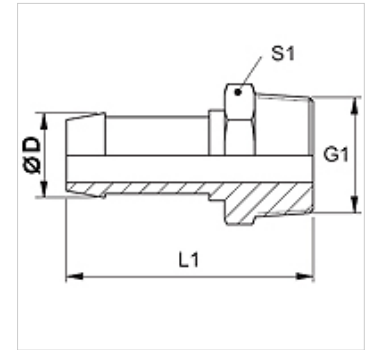
**Sealing form 1** thread seal

**Short code** AGN

**Standard** SAE J516  
SAE J514

**Material** Steel

**Surface** electro galvanised



## Note

Choose the appropriate ferrule based on the hose type.

## Item

Identification	DN	Size	Inches	Ø D (mm)	G1
SIN 03 HN 04	3	2	1/8"	5,0	1/8" -27 NPT
SIN 04 HN	4	3	3/16"	6,0	1/8" -27 NPT
SIN 04 HN 06	4	3	3/16"	6,0	1/4" -18 NPT
SIN 06 HN	6	4	1/4"	8,0	1/4" -18 NPT
SIN 08 HN 10	8	5	5/16"	10,0	3/8" -18 NPT