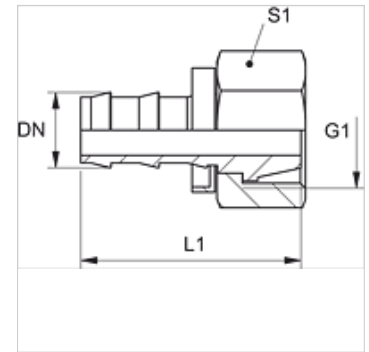


# TR AB

Drive type nipple, DKR

## Properties

<b>Connection 1</b>	BSP nut thread
<b>Sealing form 1</b>	60° outer cone
<b>Short code</b>	DKR
<b>Standard</b>	ISO 8434-6 BS 5200
<b>Material</b>	Steel
<b>Surface</b>	electro galvanised



Item						
Identification	DN	Size	Inches	G1	L1 (mm)	S1
TR 04 AB 06	5	3	3/16"	G 1/4" -19	28	17
TR 10 AB	10	6	3/8"	G 3/8" -19	34	20
TR 10 AB 13	10	6	3/8"	G 1/2" -14	-	-