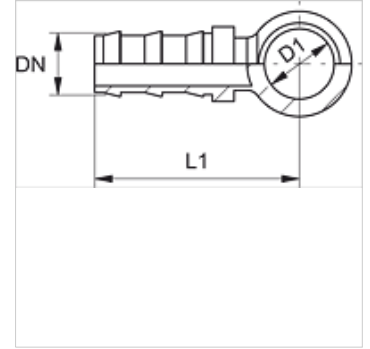


TR BR

Drive type nipple, RGN

Properties

Connection 1	imperial banjo
Standard	DIN 7642
Material	Steel
Surface	electro galvanised



Item

Identification	DN	Size	Inches	D1 (mm)
TR 08 BR 10	8	5	5/16"	17