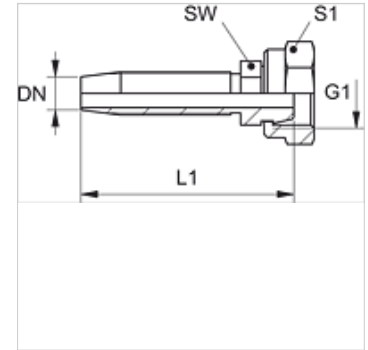


TRN A

Screw nipple, DKM

Properties

| | |
|-----------------------|--------------------|
| Connection 1 | metric nut thread |
| Sealing form 1 | 60° sealing head |
| Short code | DKM |
| Standard | DIN 3863 |
| Material | Steel |
| Surface | electro galvanised |



Note

Choose the appropriate ferrule based on the hose type.

Item

| Identification | DN | Size | Inches | G1 | L1 (mm) | AF (mm) | S1 |
|----------------|----|------|--------|------------|------------|------------|----|
| TRN 04 A | 5 | 3 | 3/16" | M 12 x 1.5 | 42,5 | 10 | 17 |
| TRN 06 A | 6 | 4 | 1/4" | M 14 x 1.5 | 58,5 | 12 | 17 |
| TRN 06 A 08 | 6 | 4 | 1/4" | M 16 x 1.5 | 59,5 | 14 | 19 |
| TRN 08 A 10 | 8 | 5 | 5/16" | M 18 x 1.5 | 63,0 | 17 | 22 |
| TRN 10 A | 10 | 6 | 3/8" | M 18 x 1.5 | 69,5 | 17 | 22 |
| TRN 10 A 13 | 10 | 6 | 3/8" | M 22 x 1.5 | 70,5 | 22 | 27 |