

TRN HL

Screw nipple, CEL

Properties

Connection 1 metric cylindrical outer thread

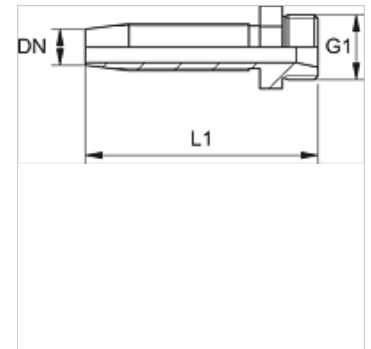
Sealing form 1 24° inner cone

Short code CEL

Standard ISO 8434-1

Material Steel

Surface electro galvanised



Note

Choose the appropriate ferrule based on the hose type.

Item

Identification	DN	Size	Inches	Series	G1	for external pipe Ø (mm)	L1 (mm)	S1
TRN 04 HL	5	3	3/16"	L	M 12 x 1.5	6	39,5	12
TRN 06 HL	6	4	1/4"	L	M 14 x 1.5	8	56,5	14
TRN 08 HL	8	5	5/16"	L	M 16 x 1.5	10	59,0	17
TRN 08 HL 10	8	5	5/16"	L	M 18 x 1.5	12	59,0	19
TRN 10 HL	10	6	3/8"	L	M 18 x 1.5	12	65,5	19
TRN 20 HL	19	12	3/4"	L	M 30 x 2	22	85,0	30