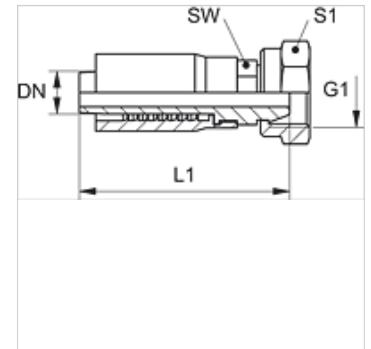
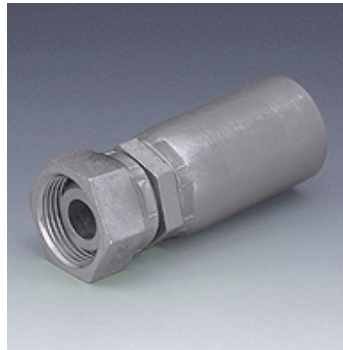


# TRP A

Swage fitting, DKM

## Properties

<b>Connection 1</b>	metric nut thread
<b>Sealing form 1</b>	60° sealing head
<b>Short code</b>	DKM
<b>Standard</b>	DIN 3863
<b>Scope of supply</b>	Swage nipple + swage ferrule
<b>Material</b>	Steel
<b>Surface</b>	electro galvanised



Item							
Identification	DN	Size	Inches	G1	L1 (mm)	AF (mm)	S1
TRP 04 A	5	3	3/16"	M 12 x 1.5	55,0	10	17
TRP 04 A 08	5	3	3/16"	M 16 x 1.5	55,0	14	22
TRP 06 A	6	4	1/4"	M 14 x 1.5	61,0	14	19
TRP 06 A 08	6	4	1/4"	M 16 x 1.5	61,0	14	22
TRP 08 A	8	5	5/16"	M 16 x 1.5	64,0	17	22
TRP 10 A	10	6	3/8"	M 18 x 1.5	69,0	19	22
TRP 13 A	12	8	1/2"	M 22 x 1.5	75,0	24	27