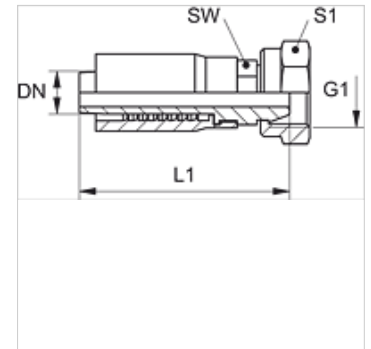


TRP AB

Swage fitting, DKR

Properties

Connection 1	BSP nut thread
Sealing form 1	60° outer cone
Short code	DKR
Standard	ISO 8434-6 BS 5200
Scope of supply	Swage nipple + swage ferrule
Material	Steel
Surface	electro galvanised



Item

Identification	DN	Size	Inches	G1	L1 (mm)	AF (mm)	S1
TRP 04 AB 02	5	3	3/16"	G 1/8" -28	54,0	10	17
TRP 04 AB 06	5	3	3/16"	G 1/4" -19	54,0	14	19
TRP 06 AB	6	4	1/4"	G 1/4" -19	60,0	14	19
TRP 13 AB	12	8	3/8"	G 1/2" -14	74,0	24	27