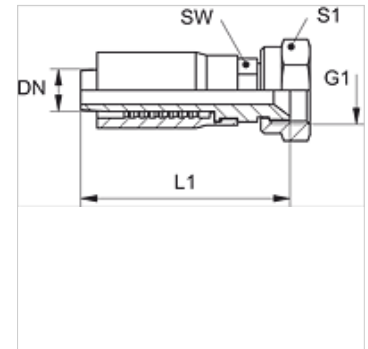


# TRP AJ

Swage fitting, DKJ

## Properties

<b>Connection 1</b>	UN/UNF nut threads
<b>Sealing form 1</b>	74° inner cone
<b>Short code</b>	DKJ
<b>Standard</b>	ISO 8434-2
<b>Scope of supply</b>	Swage nipple + swage ferrule
<b>Material</b>	Steel
<b>Surface</b>	electro galvanised



## Item

Identification	DN	Size	Inches	G1	L1 (mm)	AF (mm)	S1
TRP 04 AJ 06	5	3	3/16"	7/16"-20 UNF	55,0	14	17
TRP 06 AJ	6	4	1/4"	7/16"-20 UNF	61,0	14	17
TRP 06 AJ 08	6	4	1/4"	1/2"-20 UNF	61,0	14	17
TRP 06 AJ 10	6	4	1/4"	9/16"-18 UNF	61,0	14	19
TRP 08 AJ 10	8	5	5/16"	9/16"-18 UNF	64,0	17	19
TRP 10 AJ	10	6	3/8"	9/16"-18 UNF	69,0	19	19