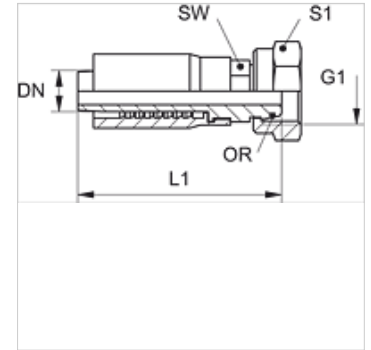


TRP AOL

Swage fitting, DKOL

Properties

| | |
|------------------------|------------------------------|
| Connection 1 | metric nut thread |
| Sealing form 1 | 24° outer cone with O-ring |
| Short code | DKOL |
| Standard | ISO 8434-1 |
| Scope of supply | Swage nipple + swage ferrule |
| Material | Steel |
| Surface | electro galvanised |



Item

| Identification | DN | Size | Inches | Series | G1 | for external pipe Ø (mm) | L1 (mm) | AF (mm) | S1 | OR |
|----------------------|----|------|--------|--------|------------|-----------------------------|------------|------------|----|-----------|
| TRP 06 AOL 10 | 6 | 4 | 1/4" | L | M 18 x 1.5 | 12 | 57,0 | 17 | 22 | 9.0 x 1.5 |